



# Alert Signal Encoder S 2000/300

The alert signal encoder S 2000/300 is a selective call encoder with an optional double tone generator that can be connected to radios. It is often used for the alert of fire brigades and emergency services. However, it can be used for different applications, e.g for industrial plants purposes. The S 2000/XXX series complies with the requirements of „TR BOS Alarmgeber Baustufe I, II, III und IV“.

The encoder is operated manually or via remote control, is the link between the operator who is responsible for alert triggering and the radio network. It manages the radio device control and triggers alerts.

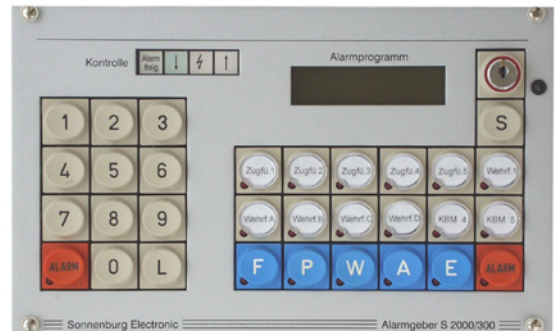


Fig. 1: Alert Signal Encoder S 2000/300

## ADVANTAGES & FUNCTIONS

- micro processor controlled signal encoder for the generation of a free configurable 5-tone sell call according to ZVEI or CCIR standards for triggering of remote control receivers and pagers
- 12 keys for predefined calls, 10 key block, siren signal key, clear and start keys
- multiple key assignment is optional possible (max. 128 loops)
- siren signal key key "F" with double tone for siren control
- four other siren programs are available as an option
- programming is made via the key block or via the PC software T6T
- 8-digit alphanumeric LCD or LED display for call numbers or place names
- indicator lamps for "channel busy", alarm release, PTT keying and operating voltage
- acoustic signal in case of operating errors
- digital frequency and time conditioning based on quartz time
- push-to-talk (PTT) button for transmitter keying
- level checking (2600 Hz)
- two RS232 interfaces for extension device with predefined sel calls and PC control
- two 10-pole connecting sockets U-79/U for adapting to the radio
- one 15-pole Sub-D socket for connecting extension device of type S 2000/400 and computer systems

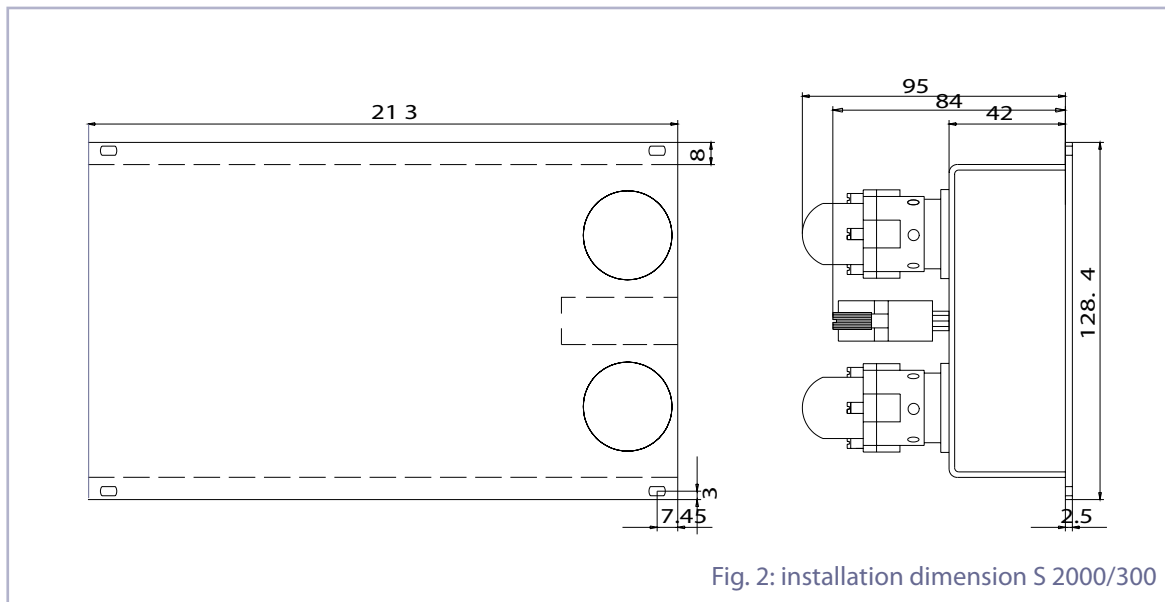


Fig. 2: installation dimension S 2000/300

## TECHNICAL DATA ALERT SIGNAL ENCODER S 2000/300

power supply	+ 12 V <sub>DC</sub> (10.5 V - 16 V)
current consumption	stand-by: 170 mA operation: max. 290 mA
AF output voltage	4 mV at 200 Ω (other values are adjustable)
operating temperature range	-40° C to +70° C below -15° C*
frequency stability	-0,1 % -40° C to +70° C
amplitude stability	± 1 dB -40° C to +70° C
installation dimensions (w x h x d)	42 TE x 3 HE = 214 x 128,4 x 97,5 mm (inclusive plug)
surface	RAL 9006 (silver matt coated)
BOS serial approval no.	AG I - 18/86

## INSTALLATION INSTRUCTION

\*We recommend the installation of a LED display into the signal encoder in poorly lit rooms or rooms with indirect lighting as well as at operating temperatures below -15° C.

In brightly lit rooms we recommend the installation of a LCD display.

If the alert signal decoder is being installed vertically (installation angle > approx. 75°), a LED display has to be installed because LCD displays are difficult to read.

## EQUIPMENT APPROVAL

All alert signal encoders have been approved by the "Zentralprüfstelle für Funkgeräte des Landes Baden-Württemberg (= Central Test Department for radios)" in compliance with the "Baurichtlinien für Alarmgeber und Meldeempfänger Nr. VI 10 464/229 (= Construction Regulations for signal encoders and control receivers)" in the extended temperature range of -30° C to +70° C and have been licensed with a serial approval no. for Germany.